

2 Micron High Power Single-Frequency Fiber Laser AP-SF1

AdValue Photonics' 2 μ m fiber lasers provide many advantages over traditional bulk Ho and Tm solid state lasers with their compact size, high efficiency, low maintenance, and ease of operation.

Applications:

- LIDAR
- Gas sensing
- Frequency conversion
- Research & development



Features:

- Customizable operating wavelength
- Single longitudinal mode
- Very narrow spectral linewidth
- Single mode fiber delivery
- Turn-key system with no maintenance

Optical Characteristics:

Parameter	Specification
Operation mode	CW
Operating wavelength	1950 nm (Option: customized wavelength 1900-2100 nm)
Wavelength accuracy	± 1 nm (Option: customized accuracy)
Max. output power	5 W
Min. spectral linewidth	50 kHz
Frequency stability	+/- 100 MHz per minute
Beam quality, M^2	< 1.1
Output polarization	Random (Option: linearly polarized)
Fast tuning range	200 MHz, ~ 20 MHz/V with PZT (Option upon request)
Thermal tuning range	0.3 nm (Option upon request)
Output delivery	Collimated beam, beam diameter ~ 5 mm
Output fiber and termination	Single mode fiber, 5 mm armored cable, 1 m cable length, collimator termination with housing dimensions $\Phi 35 \times 97$ mm (For linearly polarized output: polarization maintaining single mode fiber)

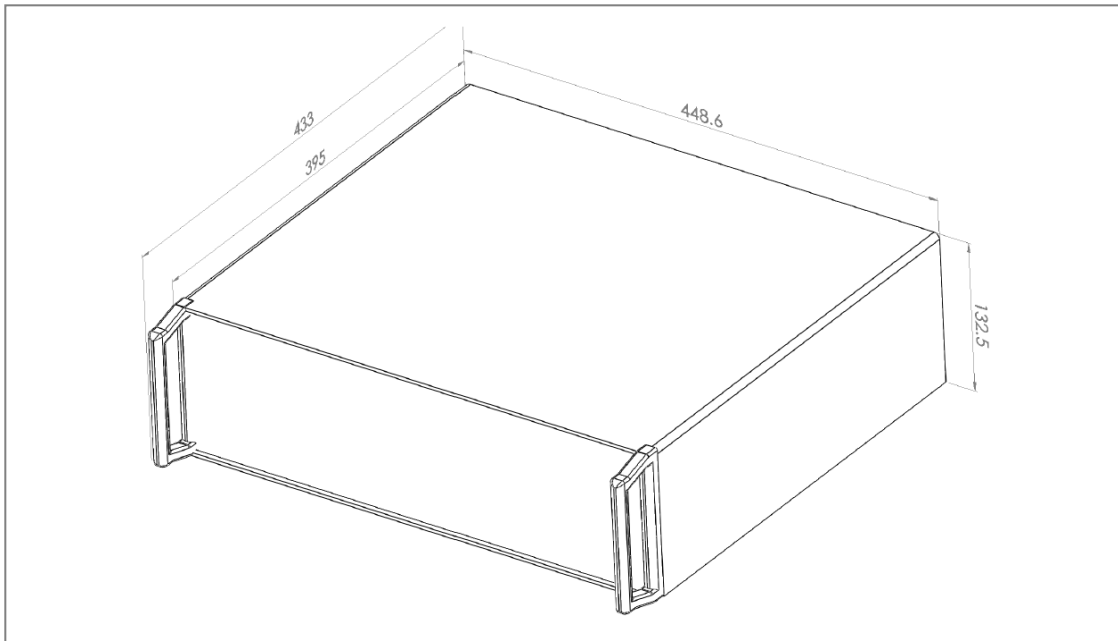
(Customization options available.)

Specifications subject to change without notice

General Characteristics:

Parameter	Specification
Operating temperature	20 to +35 °C
Storage temperature	-10 to +70 °C
Cooling	Forced air
Power requirement	AC 100~240 V (50/60Hz)
Warm-up time	20 minutes
Package dimensions	448.6(W) x 433(D) x 132.5(H) mm

Mechanical Outline:



Ordering Information:

Part Number:	AP-SF1	-	xxxx	-	xx	-	xx		
			Standard Wavelength: 1950 = 1950 nm Custom Wavelength: xxxx = xxxx nm		Output Power: 01 = 1 W 05 = 5 W		Polarization: RP = random polarization LP = linear polarization		

(For special request, please contact AdValue Photonics at 1-520-790-5468 or sales@advaluephotonics.com.)



Specifications subject to change without notice

2 Micron Single-Frequency Fiber Laser AP-SF

AdValue Photonics' 2 μ m fiber lasers provide many advantages over traditional bulk Ho and Tm solid state lasers with their compact size, high efficiency, low maintenance, and ease of operation.

Applications:

- LIDAR
- Gas sensing
- Frequency conversion
- Research & development

Features:

- Customizable operating wavelength
- Single longitudinal mode
- Very narrow spectral linewidth
- Single mode fiber delivery
- Turn-key system with no maintenance



Optical Characteristics:

Parameter	Specification
Operation mode	CW
Operating wavelength	1950 nm (Option: customized wavelength 1900-2100 nm)
Wavelength accuracy	± 1 nm (Option: customized accuracy)
Output power (nominal)	30 mW (not for all options)
Spectral linewidth	< 50 kHz
Frequency stability	+/- 100 MHz per minute
Beam quality, M^2	< 1.1
Output polarization	Linearly Polarized
Fast tuning range	200 MHz, ~ 20 MHz/V with PZT (Option upon request)
Thermal tuning range	0.3 nm (Option upon request)
Output fiber	Panda PM1550 fiber, 3 mm jacket, 1 m fiber length, FC/APC connector, keyed to slow axis

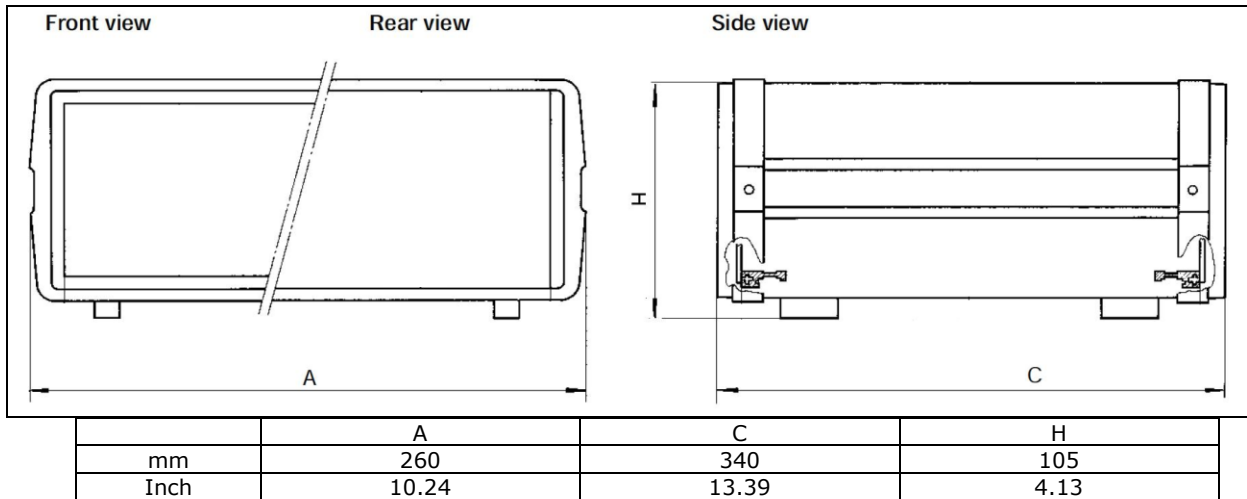
(Customization options available.)

Specifications subject to change without notice

General Characteristics:

Parameter	Specification
Operating temperature	20 to +35 °C
Storage temperature	-10 to +70 °C
Cooling	Passive
Power requirement	AC 100~240 V (50/60Hz)
Warm-up time	20 minutes
Package dimensions	260(W) x 340(D) x 105(H) mm

Mechanical Outline:



Ordering Information:

Part Number:	AP-SF	-	xxxx	-	mxxx	-	xx		
			Standard Wavelength: 1950 = 1950 nm Custom Wavelength: xxxx = xxxx nm		Output Power: m030 = 30 mW		Polarization: RP = random polarization PM = polarization maintaining		

(For special request, please contact AdValue Photonics at 1-520-790-5468 or sales@advaluephotonics.com.)



Specifications subject to change without notice