

BENEFITS

- .complete grid modularity
- .ultra wide frequency range

FEATURES

- .spacing tunability
- .frequency tunability
- .motorized and manual versions available
- .PM option available
- .2U rack packaging

APPLICATIONS

- .network testing
- .grid optimization

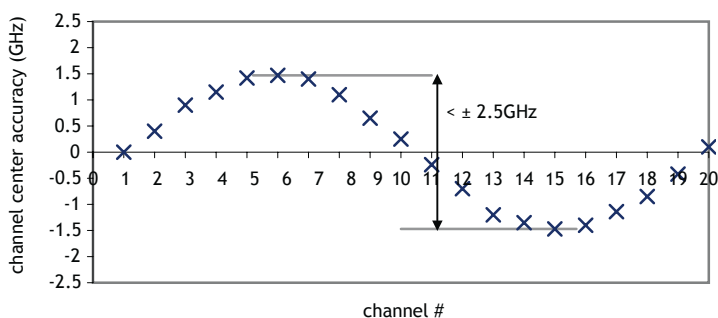
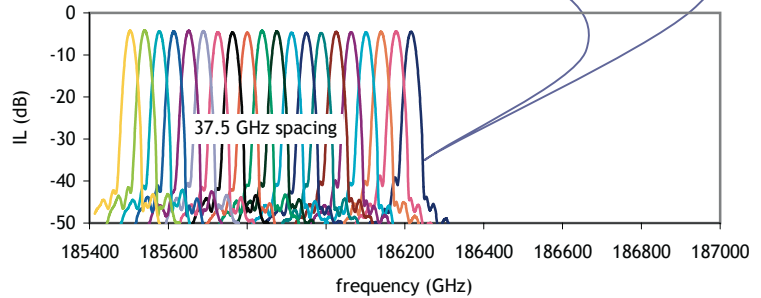
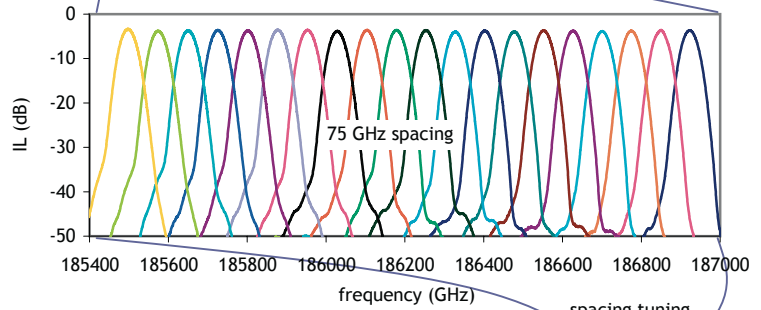
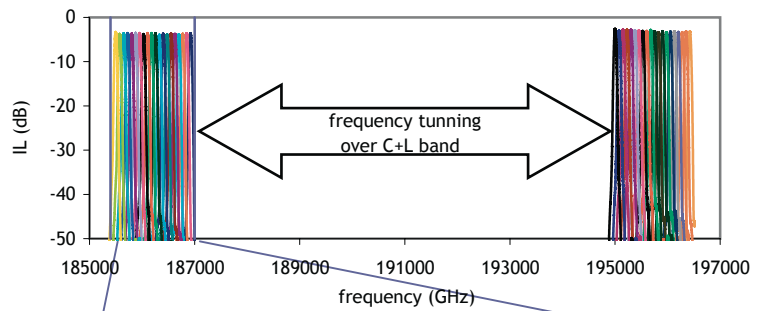
t-mics is an instrument available in 2 versions :

manual version : spacing and frequency can be tuned by using two micrometer heads

computer piloted version : spacing and frequency are controlled using an user friendly software for active setup and fast tunability

parameter	unit	gaussian
		< 20 channels
frequency tuning range	GHz	C+L band
polarization dependent loss (PDL)	dB	< 0.5
insertion loss uniformity	dB	< 1.5
bandwidth @-3dB	GHz	> 0.45 x spacing
adjacent crosstalk	dB	28
non-adjacent crosstalk	dB	40
cumulative crosstalk	dB	23
return loss	dB	30 (40 typ.)
PMD	ps	< 0.2
directivity	dB	50
chromatic dispersion	ps/nm	± 10
operating temperature range	°C	-5 à 70
storage temperature range	°C	-40 to 85

spacing range (GHz)	insertion loss (dB)	channel center accuracy (GHz)
12.5 to 25	< 8	± 1
25 to 50	< 6.5	± 2
37.5 to 75	< 5.5	± 2.5
50 to 100	< 5	± 3



ordering information

t-mics - / / / /

configuration M : manual P : piloted number of channels 10 to 20 spacing range in GHz fibre type SM : SMF-28 PM : Panda PM connectors