

SMA M/F 18 GHZ ATTENUATOR

SA18E-XX

SPECIFICATIONS

ELECTRICAL:

FREQUENCY: 0-18 GHZ
 VSWR: 1.35:1 MAX
 POWER (AVG) 2 WATTS @ 25° C
 POWER (PEAK) 500 WATTS
 POWER DERATES LINEARLY TO <10% @ 125°C
 IMPEDANCE: 50 OHMS
 ATTENUATION ACCURACY

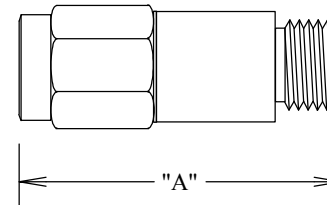
1-6 dB	± .3 dB
7-20 dB	± .5 dB
21-30 dB	± .75 dB

MECHANICAL:

MATERIAL BODY: PASSIVATED STAINLESS STEEL
 MATERIAL RING & CONTACTS: BeCu
 CENTER CONTACT: GOLD PLATED PER MIL-G-45204

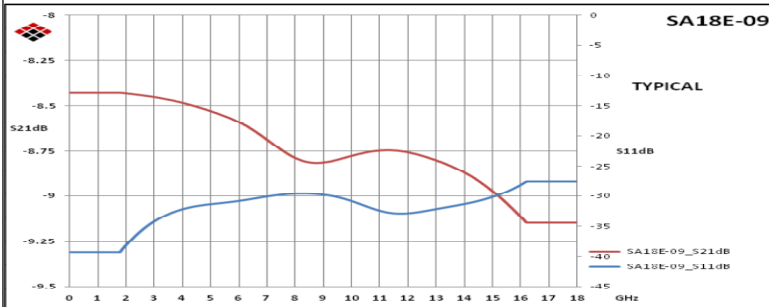
ENVIRONMENTAL:

TEMP: -65° C TO +125° C



Dimension for "A"

Db Value	Length
1-12 dB	.860"
13-30	1.02"



ALL DIMENSIONS IN inches(MM) Typical

FAIRVIEW MICROWAVE INC.

ALLEN, TX 75013 WWW.FAIRVIEWMICROWAVE.COM

TITLE

SMA M/F 18 GHZ ATTENUATOR

SIZE	CAGE CODE	DWG NO	REV
A	3FKR5	SA18E-XX	A
SCALE	SHEET		

ATTENUATOR 2.92 M/F 40GHZ 1WATT

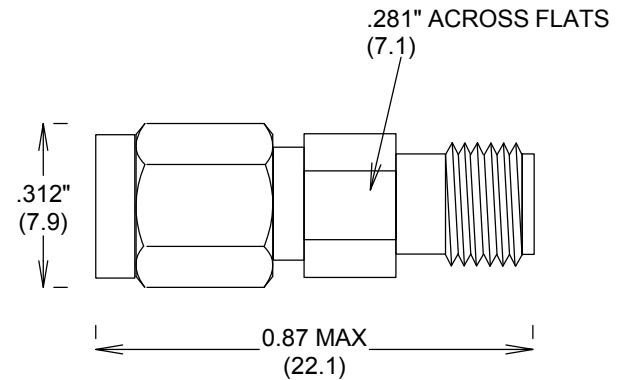
SA4014-XX

SPECIFICATIONS

ELECTRICAL:

FREQUENCY: 0-40 GHZ
 VSWR @ 18 GHZ: 1.30:1 MAX
 VSWR @ 40 GHZ: 1.40:1 MAX
 POWER (AVG) 1 WATT @ 25°C,
 POWER DERATES LINEARLY 0.1W @ 125°C
 IMPEDANCE: 50 OHMS

ATTENUATION ACCURACY		
dB	DC-26.5 GHZ	26.5-40 GHZ
0-8 dB	±0.50 dB	±0.80 dB
10-20 dB	±0.60 dB	±1.00 dB
30 dB	±0.80 dB	±1.00 dB

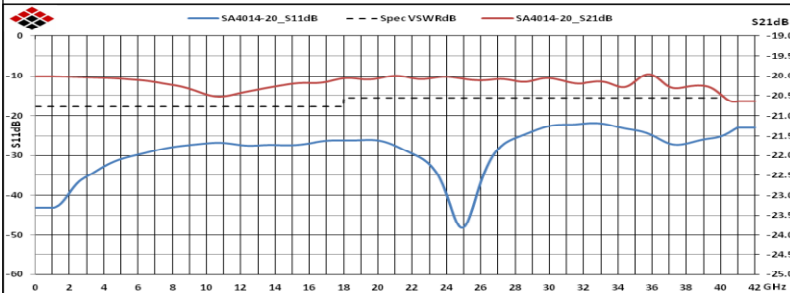


MECHANICAL:

MATERIAL BODY: PASSIVATED STAINLESS STEEL
 MATERIAL CONTACTS: BeCu
 CENTER CONTACT: GOLD PLATED PER MIL-G-45204
 TEMP: -65°C TO +125°C

ROHS COMPLIANT

MEASUREMENTS BELOW ARE TYPICAL



ALL DIMENSIONS IN inches(MM), Typical

FAIRVIEW MICROWAVE INC.

ALLEN, TX 75013 WWW.FAIRVIEWMICROWAVE.COM

TITLE

ATTENUATOR 2.92 M/F 40GHZ 1WATT

SIZE A	CAGE CODE 3FKR5	DWG NO SA4014-XX	REV A
SCALE		SHEET	

ATTENUATORS 2.4 M/F 50GHZ

SA5074-XX

SPECIFICATIONS

ELECTRICAL:

FREQUENCY: 0-50 GHZ
 VSWR @ 26.5 GHZ: 1.35:1 MAX
 VSWR @ 40GHZ: 1.6:1 MAX
 VSWR @ 50 GHZ: 1.75:1 MAX
 POWER (AVG) 1 WATT MAX
 POWER DERATES LINEARLY TO <10% AT 100° C
 IMPEDANCE: 50 OHMS
 ATTENUATION ACCURACY:

	0-26.5 GHZ	26.5-40 GHZ	40-50 GHZ
3-10 dB	±0.50 dB	±1.00 dB	±1.50 dB
20 & 30 dB	±0.75 dB	±1.25 dB	±2.00 dB

MECHANICAL:

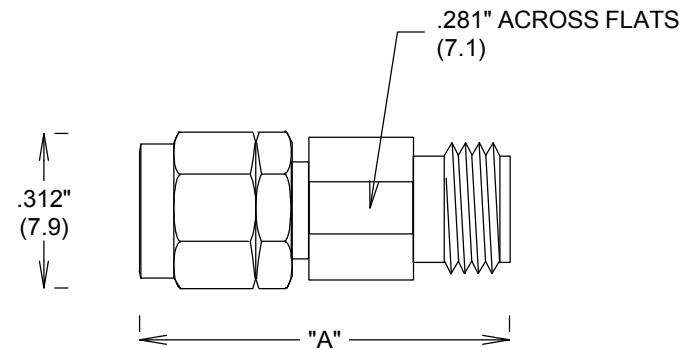
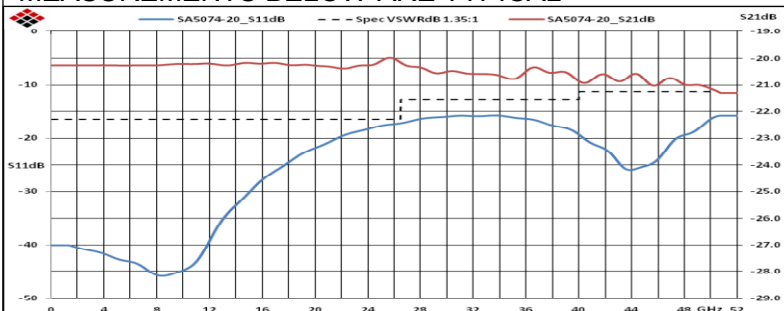
MATERIAL BODY: PASSIVATED STAINLESS STEEL
 MATERIAL RING & CONTACTS: BeCu
 CENTER CONTACT: GOLD PLATED PER MIL-G-45204

ENVIRONMENTAL:

TEMP: -65 C TO +125 C

ROHS COMPLIANT

MEASUREMENTS BELOW ARE TYPICAL



"A"	
0-20 dB	.871" ±.3"
30 dB	.911" ±.3"

ALL DIMENSIONS IN inches(MM) Typical

FAIRVIEW MICROWAVE INC.

ALLEN, TX 75013 WWW.FAIRVIEWMICROWAVE.COM

TITLE

ATTENUATORS 2.4 M/F 50GHZ

SIZE	CAGE CODE	DWG NO	REV
A	3FKR5	SA5074-XX	A
SCALE	SHEET		

10 dB Fixed Attenuator 1.85mm Male To 1.85mm Female Up To 65 GHz Rated To 1 Watt With Passivated Stainless Steel Body

Electrical Specifications*

Description	Min	Typ	Max	Units
Frequency Range	DC		65	GHz
Impedance		50		Ohms
Attenuation Value		10		dB
Input Power			1	Watts
VSWR			1.65:1	

* Values at 25°C, sea level

Specifications by Frequency

Description	F1	F2	F3	F4	F5	Units
Range	DC to 26.5	26.5 to 40	40 to 60	60 to 65		GHz
VSWR	1.35:1	1.55:1	1.65:1	1.65:1		
Atten. Accuracy	± 0.75	± 1.25	± 1.5	± 1.75		dB

Mechanical Specifications

Temperature

Operating Range -55 to +100 deg C

Size

Length 0.98 in [24.89 mm]
Width 0.31 in [7.87 mm]

Connectors

Description	Connector 1	Connector 2
Type	1.85mm Male	1.85mm Female
Contact Material & Plating	Beryllium Copper, Gold	Beryllium Copper, Gold
Outer Conductor Material & Plating		Passivated Stainless Steel
Coupling Nut Material & Plating	Passivated Stainless Steel	
Body Material & Plating	Passivated Stainless Steel	Passivated Stainless Steel

Compliance Certifications (visit www.FairviewMicrowave.com for current document)

RoHS Compliant Yes

Plotted and Other Data

Notes:

- Values at 25 °C, sea level



Features:

- Design: Fixed Attenuator
- Connector 1: 1.85mm Male
- Connector 2: 1.85mm Female
- Body Material and Plating: Passivated Stainless Steel

Fairview Microwave
1130 Junction Dr. #100
Allen, TX 75013
Tel: 1-800-715-4396 / (972) 649-6678
Fax: (972) 649-6689
www.fairviewmicrowave.com
sales@fairviewmicrowave.com

10 dB Fixed Attenuator 1.85mm Male To 1.85mm Female Up To 65 GHz Rated To 1 Watt With Passivated Stainless Steel Body from Fairview Microwave is in-stock and available to ship same-day. All of our RF/microwave products are available off-the-shelf from our ISO 9001:2008 certified facilities in Allen, Texas. Fairview Microwave is RF on-demand.

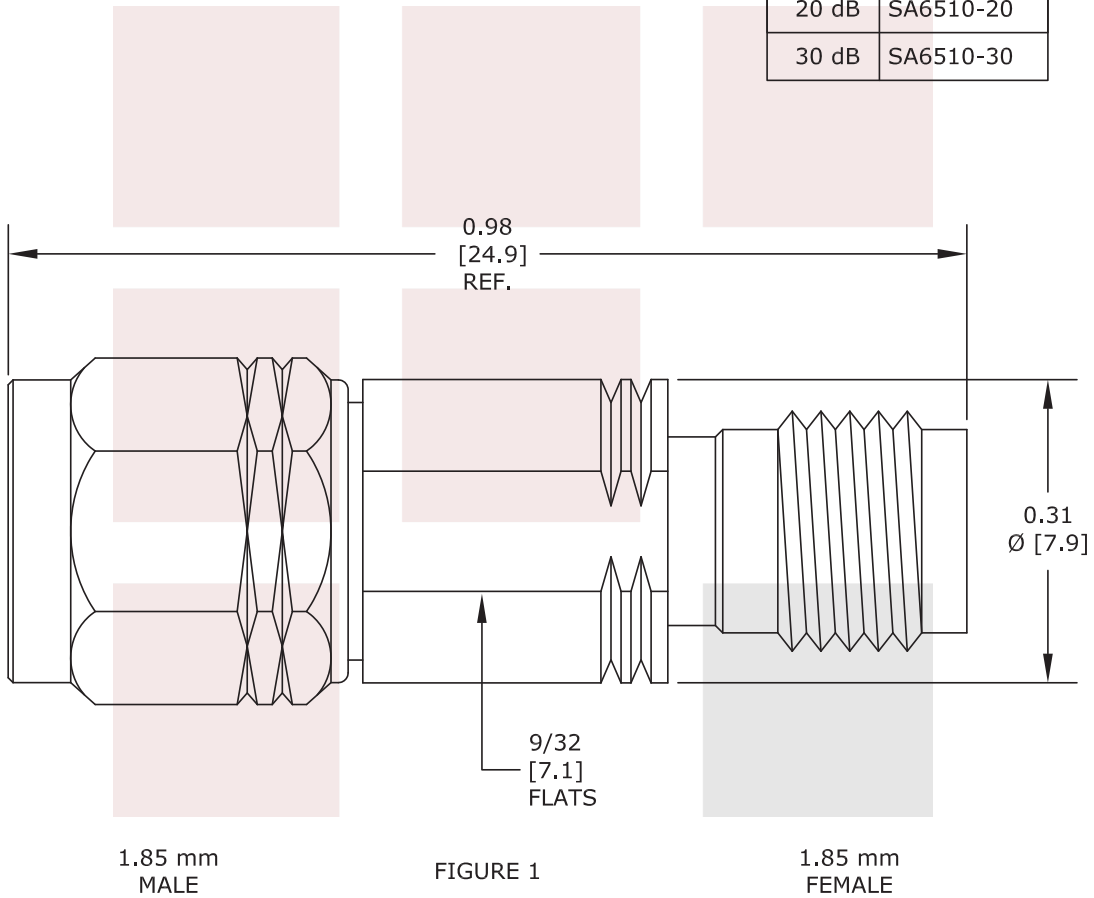
For additional information on this product, please click the following link: [10 dB Fixed Attenuator 1.85mm Male To 1.85mm Female Up To 65 GHz Rated To 1 Watt With Passivated Stainless Steel Body SA6510-10](#)

URL: <http://www.fairviewmicrowave.com/10db-fixed-attenuator-1.85mm-male-1.85mm-female-1-watt-sa6510-10-p.aspx>

The information contained in this document is accurate to the best of our knowledge and representative of the part described herein. It may be necessary to make modifications to the part and/or the documentation of the part, in order to implement improvements. Fairview Microwave reserves the right to make such changes as required. Unless otherwise stated, all specifications are nominal. Fairview Microwave does not make any representation or warranty regarding the suitability of the part described herein for any particular purpose, and Fairview Microwave does not assume any liability arising out of the use of any part or documentation.



ATTEN.	P/N
3 dB	SA6510-3
6 dB	SA6510-6
10 dB	SA6510-10
15 dB	SA6510-15
20 dB	SA6510-20
30 dB	SA6510-30



FAIRVIEW MICROWAVE INC. ALLEN, TX 75013 WWW.FAIRVIEWMICROWAVE.COM		NOTES: 1. UNLESS OTHERWISE SPECIFIED ALL DIMENSIONS ARE NOMINAL. 2. ALL SPECIFICATIONS ARE SUBJECT TO CHANGE WITHOUT NOTICE AT ANY TIME. 3. DIMENSIONS ARE IN INCHES [mm].			
TITLE 10 dB Fixed Attenuator 1.85mm Male To 1.85mm Female Up To 65 GHz Rated To 1 Watt With Passivated Stainless Steel Body		DWG NO SA6510		CAGE CODE 3FKR5	
CAD FILE	080414	SHEET	SCALE	N/A	SIZE A 2233